



California Faucets®

**Descanso®**

Two Handle Lavatory Wall Faucet Trim Only

**Features**

- 25+ artisan finishes including 12 PVD finishes
- All brass construction
- 1.2gpm (4.5 L/min) max flow rate
- Rough valve (VL-R) sold separately

**Codes/Standards Applicable**

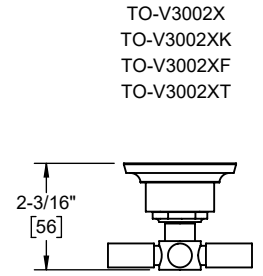
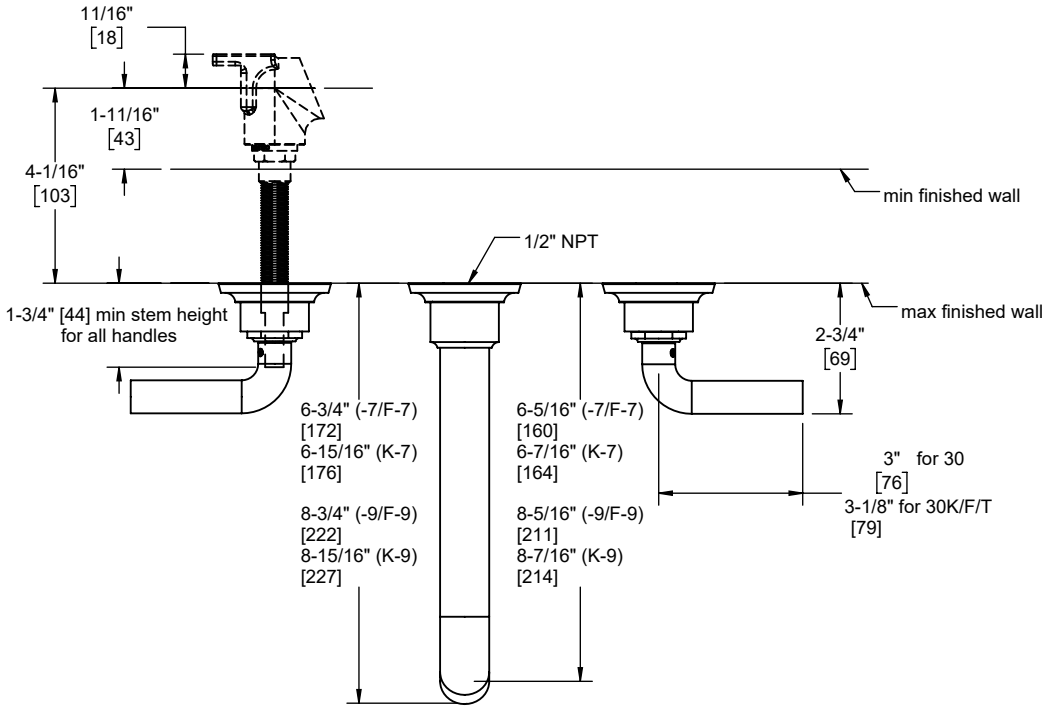
Product meets or exceeds the following:

- ASME A112.18.1/CSA B125.1
- NSF 61, NSF 372, CEC & DOE
- EPA WaterSense
- Commonwealth of MA
- ADA compliant (lever handles only)

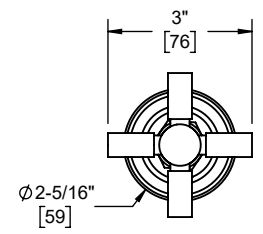
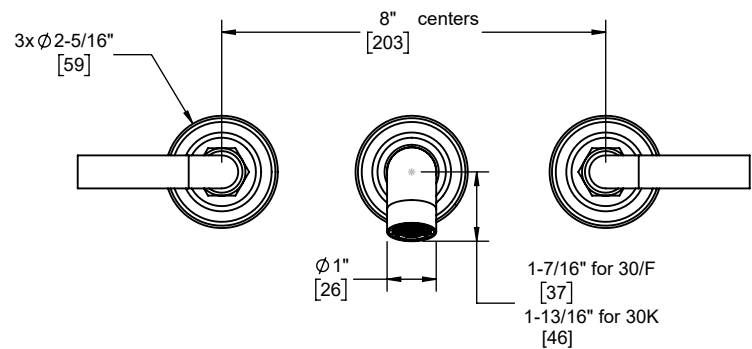
- |              |              |
|--------------|--------------|
| TO-V3002-9   | TO-V3002-7   |
| TO-V3002K-9  | TO-V3002K-7  |
| TO-V3002F-9  | TO-V3002F-7  |
| TO-V3002T-9  | TO-V3002T-7  |
| TO-V3002X-9  | TO-V3002X-7  |
| TO-V3002XK-9 | TO-V3002XK-7 |
| TO-V3002XF-9 | TO-V3002XF-7 |
| TO-V3002XT-9 | TO-V3002XT-7 |



TO-V3002K-9 shown



TO-V3002X  
TO-V3002XK  
TO-V3002XF  
TO-V3002XT



	Through-Hole Specifications		
	Min	Recommended	Max
Spout:	Ø 15/16" [24]	Ø 1-1/4" [32]	Ø 1-5/8" [41]
Valve:	Ø 11/16" [17]	Ø 1-1/4" [32]	Ø 1-5/8" [41]

Dimensions are inches, rounded to 1/16"  
[Dimensions in brackets are mm, rounded to 1mm]

Specifications subject to change without notice

